



US00D507167S

(12) **United States Design Patent**  
**Richardson**

(10) **Patent No.:** **US D507,167 S**

(45) **Date of Patent:** **\*\* Jul. 12, 2005**

(54) **MULTI FUNCTION STUD CLIMBING AND CARPENTRY TOOL**

(76) **Inventor:** **David A Richardson, 12147 W. Rosewood Dr., El Mirage, AZ (US) 85335**

(\*\*) **Term:** **14 Years**

(21) **Appl. No.:** **29/197,128**

(22) **Filed:** **Jan. 9, 2004**

(51) **LOC (8) Cl.** ..... **08-02**

(52) **U.S. Cl.** ..... **D8/81; D8/105**

(58) **Field of Search** ..... D8/75, 76, 77, D8/78, 79, 80, 81, 88, 89, 105; 81/21, 22, 23, 24; 7/143, 144, 146, 166; 254/26 R

(56) **References Cited**

**U.S. PATENT DOCUMENTS**

D164,705 S	*	10/1951	Moses	.....	D8/81
D192,721 S	*	5/1962	Mills	.....	D8/81
D202,475 S	*	10/1965	Anderton	.....	D8/81
3,705,430 A	*	12/1972	Ziaylek, Jr.	.....	7/147
D226,162 S	*	1/1973	Ziaylek, Jr.	.....	D8/81
D255,539 S	*	6/1980	Graham	.....	D8/22

D271,275 S	*	11/1983	Richilano	.....	D8/26
4,597,123 A	*	7/1986	Cobe, Jr.	.....	7/138
D291,402 S	*	8/1987	Square	.....	D8/75
D359,220 S	*	6/1995	Vinar	.....	D8/105
D388,303 S	*	12/1997	Berggren	.....	D8/81
D422,860 S	*	4/2000	Vinar	.....	D8/40

\* cited by examiner

*Primary Examiner*—Philip S. Hyder

(74) *Attorney, Agent, or Firm*—George W. Wasson

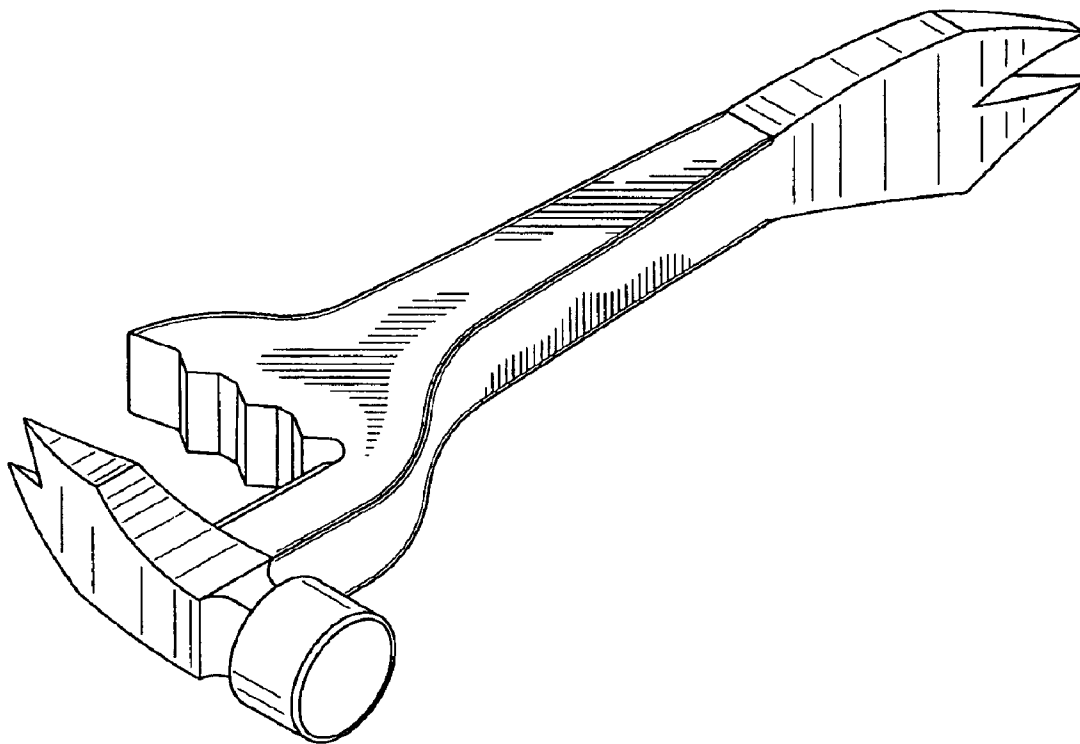
(57) **CLAIM**

The ornamental design for a multi function stud climbing and carpentry tool, as shown and described.

**DESCRIPTION**

FIG. 1 is a perspective view of the multi function stud climbing and carpentry tool showing my new design; FIG. 2 is a side view of one side of my design; the other side is a duplicate in reverse of the side shown; FIG. 3 is a top view of FIG. 2; FIG. 4 is a bottom view of FIG. 2; FIG. 5 is a left side end view of FIG. 3; and, FIG. 6 is a right side end view of FIG. 3.

**1 Claim, 3 Drawing Sheets**



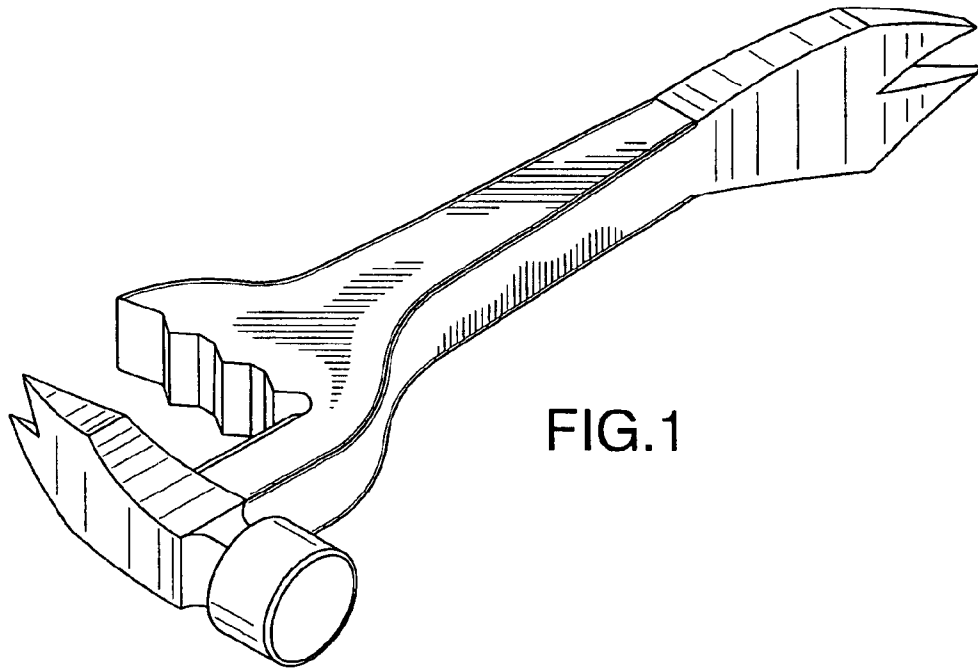


FIG. 1

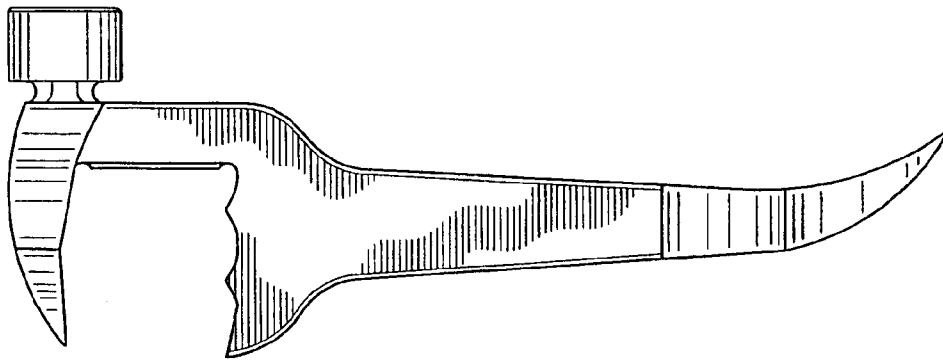


FIG. 2

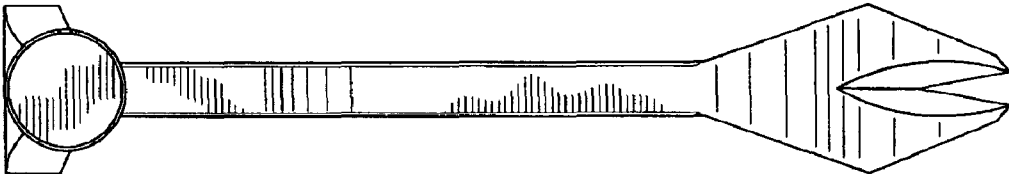


FIG.3

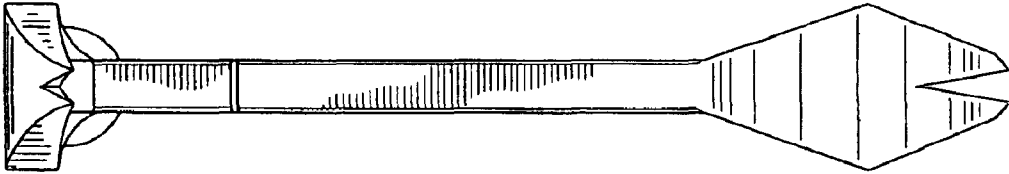


FIG.4

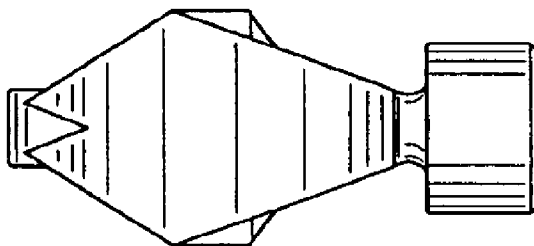


FIG. 5

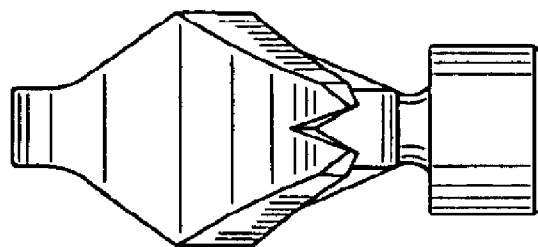


FIG. 6