



US006282003B1

(12) **United States Patent**  
**Logan, Jr. et al.**

(10) **Patent No.:** **US 6,282,003 B1**  
(45) **Date of Patent:** **Aug. 28, 2001**

(54) **METHOD AND APPARATUS FOR OPTIMIZING SBS PERFORMANCE IN AN OPTICAL COMMUNICATION SYSTEM USING AT LEAST TWO PHASE MODULATION TONES**

(75) Inventors: **Ronald T. Logan, Jr.**, Newtown; **Ruo Ding Li**, North Wales, both of PA (US)

(73) Assignee: **Uniphase Corporation**, San Jose, CA (US)

(\*) Notice: Subject to any disclaimer, the term of this patent is extended or adjusted under 35 U.S.C. 154(b) by 0 days.

(21) Appl. No.: **09/017,182**

(22) Filed: **Feb. 2, 1998**

(51) **Int. Cl.**<sup>7</sup> ..... **H04B 10/00**; H04B 10/04

(52) **U.S. Cl.** ..... **359/161**; 359/180; 359/183; 359/188

(58) **Field of Search** ..... 359/161, 180, 359/182, 183, 187, 188

(56) **References Cited**

**U.S. PATENT DOCUMENTS**

4,560,246	12/1985	Cotter	350/96.16
5,420,868	* 5/1995	Chraplyvy et al.	370/122
5,515,196	* 5/1996	Kitajima et al.	359/180
5,566,381	* 10/1996	Korotky	359/183
5,828,477	* 10/1998	Nilsson et al.	359/181
5,910,852	* 6/1999	Fontana et al.	359/156
5,930,024	* 7/1999	Atlas	359/279

**OTHER PUBLICATIONS**

E. P. Ippen, Laser Application to Optics and Spectroscopy, Jul. 1973 conference in Crystal Mountain, Washington held

by University of Arizona, Chapter 6, Nonlinear Effects in Optical Fibers, pp. 213–244, 1975.

E.P. Ippen and R.H. Stolen, Stimulated Brillouin scattering in optic fibers, Dec. 1972, Appl. Phys. Lett., vol. 21. No. 11, pp. 539–541.

\* cited by examiner

*Primary Examiner*—Leslie Pascal

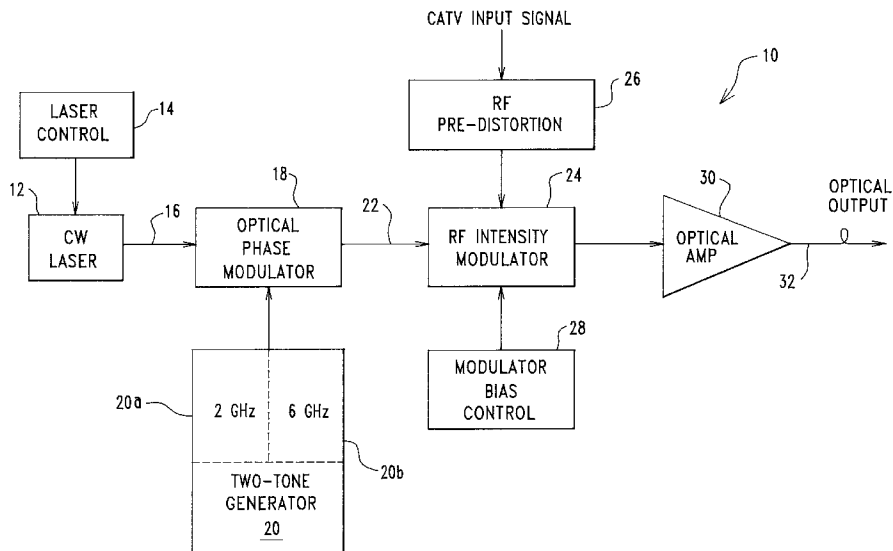
*Assistant Examiner*—M. R. Sedighian

(74) *Attorney, Agent, or Firm*—Michael Pritzkau

(57) **ABSTRACT**

A method of optimizing SBS suppression is disclosed for use in an optical communication system including a light guide for transmitting light and means for producing phase modulation of the light using at least first and second tones. In the method, an operational region of SBS suppression is established as a function of the phase modulation of the light such that the operational region identifies combinations of first and second phase modulation levels at which optimum SBS suppression is achieved for the first and second tones. Thereafter, based on the operational region, the first and second phase modulation levels are adjusted such that the system operates with optimum SBS suppression. In one aspect, a contour map and associated method are introduced. The contour map is especially suited for use in optimizing SBS suppression in an optical communication system in which light is phase modulated using at least first and second tones for transmission of the phase modulated light via media which exhibits an SBS threshold. In another aspect, one of the sub-regions identified by the contour map may be selected as the operating point of the system based on certain characteristics of the contour map at and around the location of the selected operating point. In this manner, for example, the stability of the optical communication system may be improved in the event that the selected operating point is subject to drift.

**44 Claims, 5 Drawing Sheets**



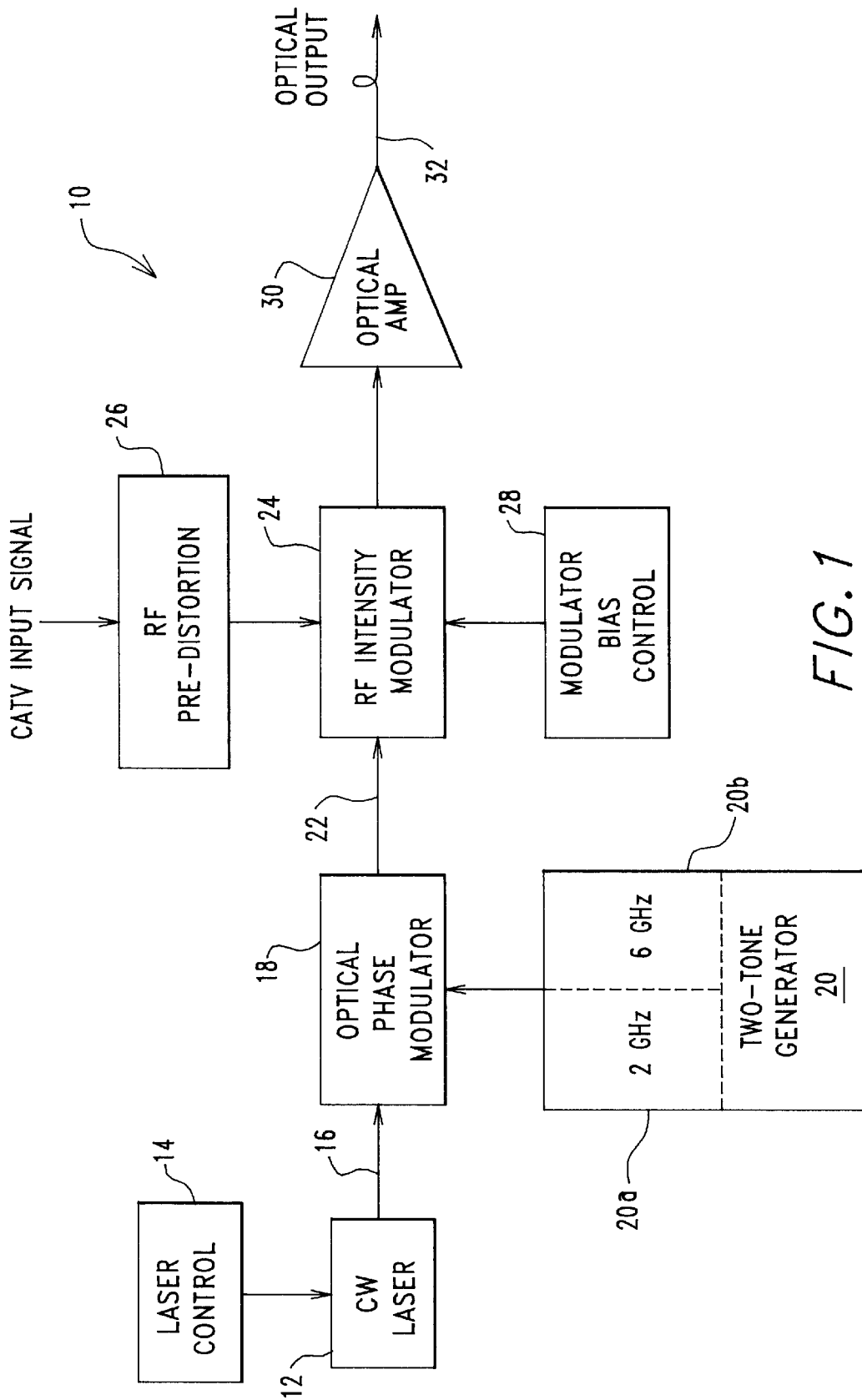


FIG. 1

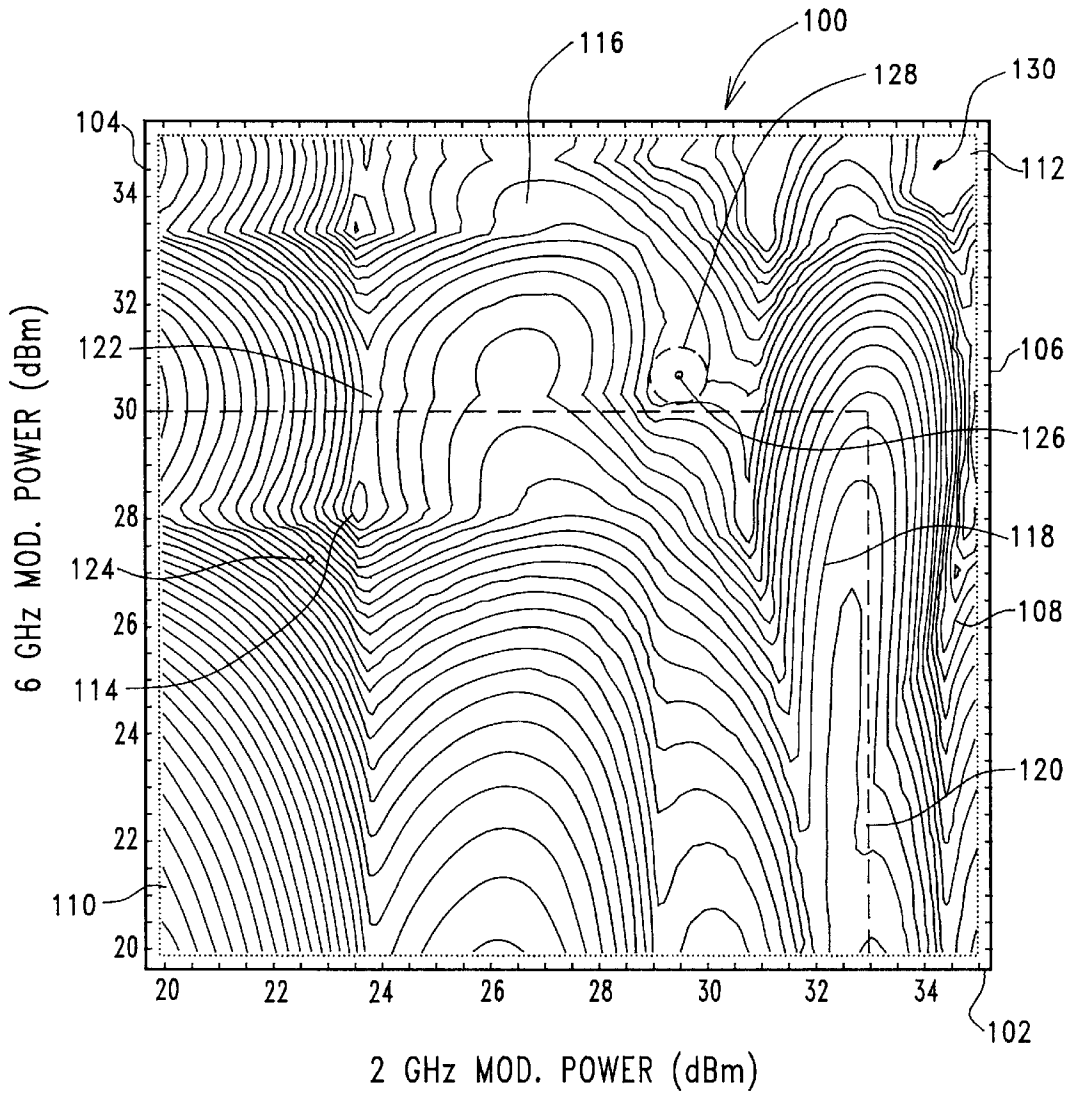
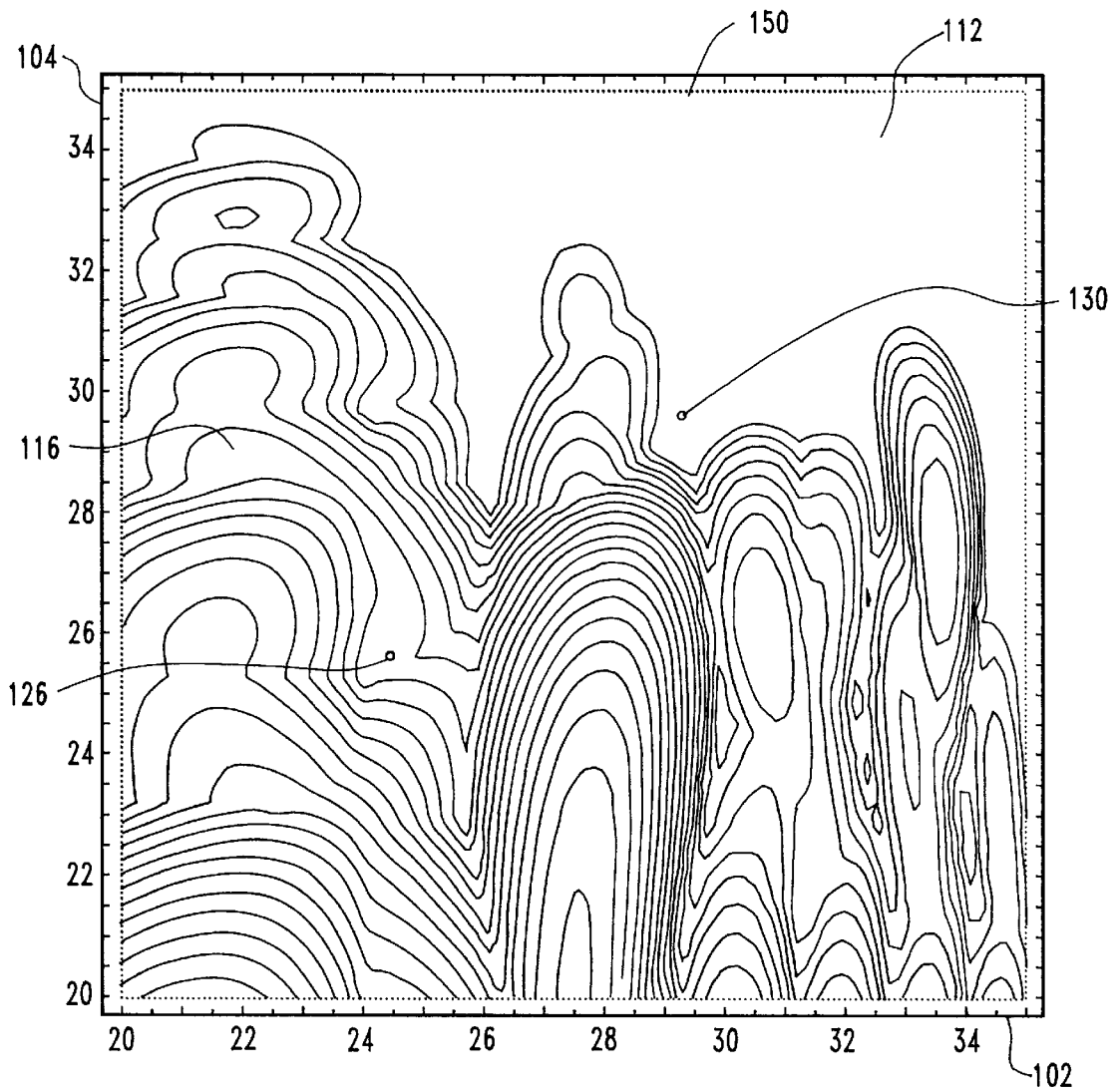


FIG. 2



$$V_{\alpha} (2 \text{ GHz}) = 6V$$

$$V_{\alpha} (6 \text{ GHz}) = 10V$$

FIG. 3

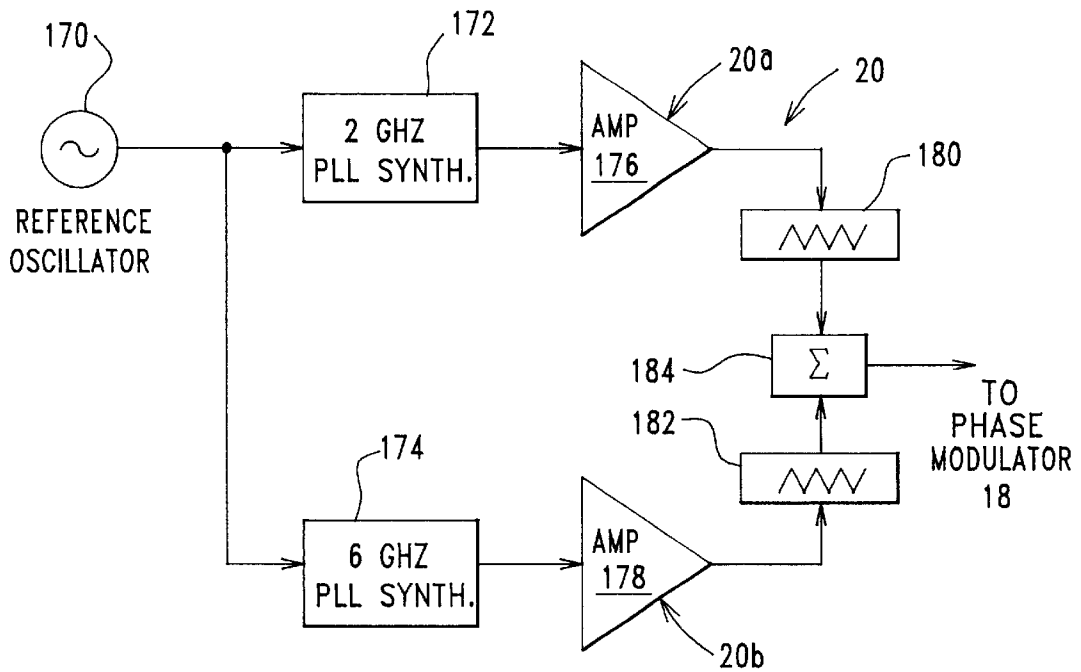


FIG. 4

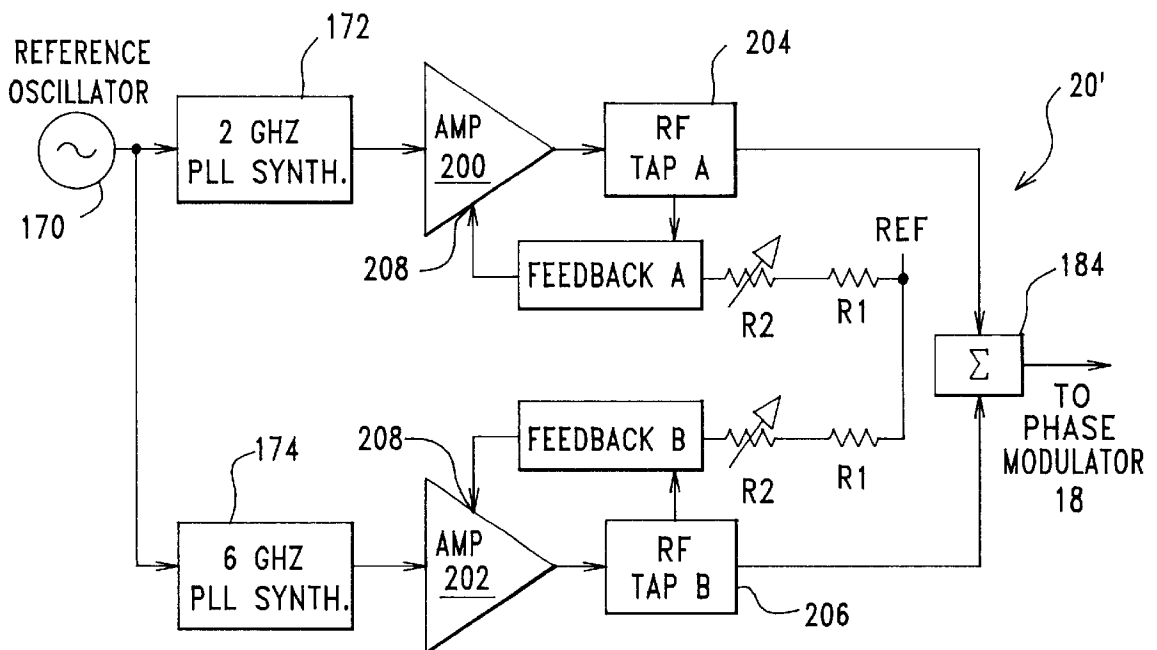


FIG. 5

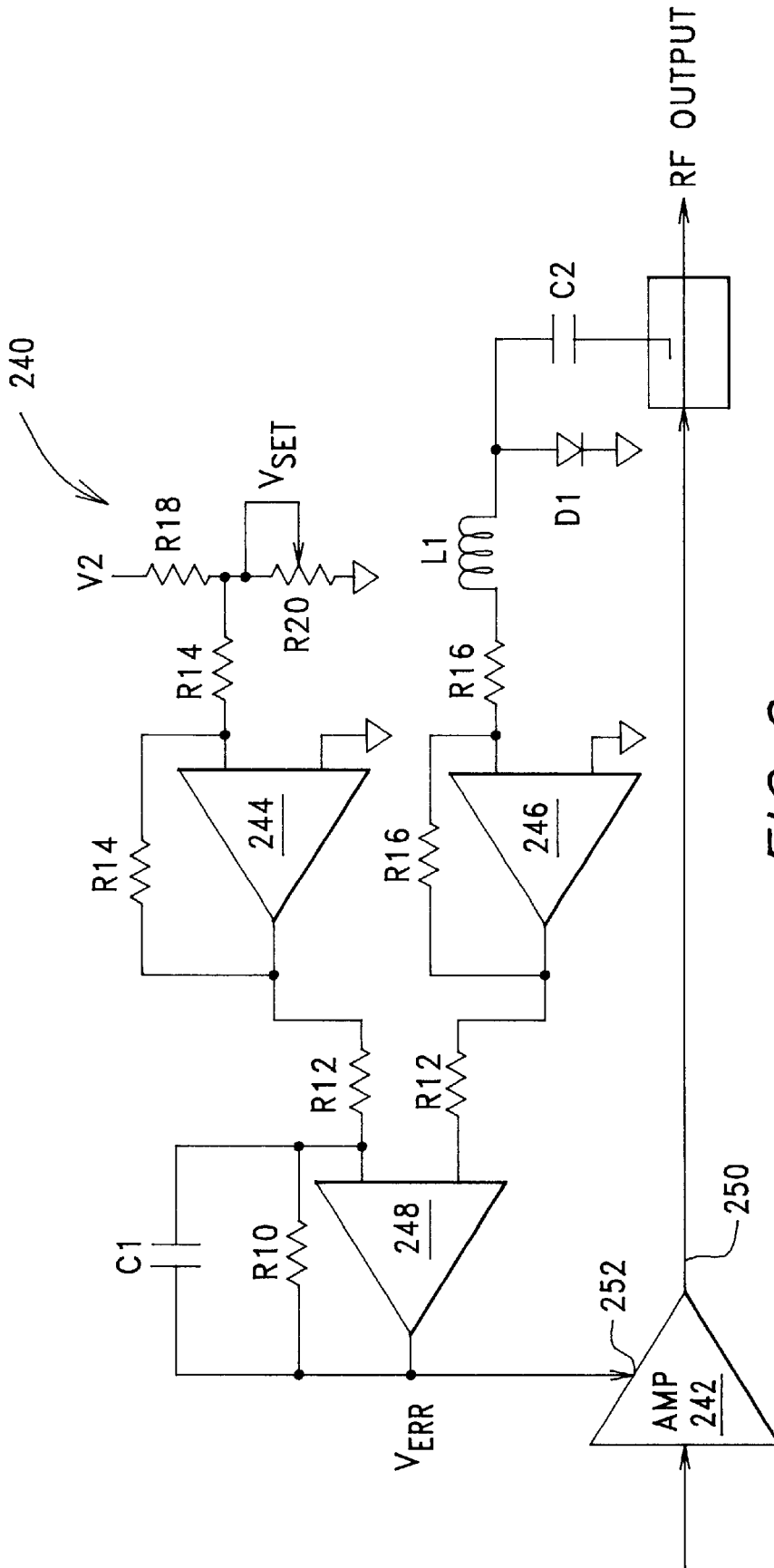


FIG. 6

**METHOD AND APPARATUS FOR  
OPTIMIZING SBS PERFORMANCE IN AN  
OPTICAL COMMUNICATION SYSTEM  
USING AT LEAST TWO PHASE  
MODULATION TONES**

The present invention is related generally to the phenomenon of Stimulated Brillouin Scattering (hereinafter SBS) in the light guide of an optical communication system and more particularly to a method and associated apparatus for optimizing the SBS performance of such an optical communication system by using at least two phase modulation tones and identifying an advantageous operational region based on the phase modulation provided by the tones. A highly advantageous SBS contour map and its method of use are also disclosed. In addition, a modulated light producing arrangement manufactured in accordance with the teachings of the present invention is disclosed.

The phenomenon of SBS has been known in the prior art for a number of years. Essentially, SBS results when a threshold power level is exceeded within a sufficiently narrow frequency band in a fiber optic light guide. The problem of SBS has become significant with the development of lasers such as, for example, Single Longitudinal Mode lasers which readily provide an output that exceeds the SBS threshold (typically about 4 mW in, for example, a 50 kilometer fiber optic cable). Moreover, limitation of optical power to a level as low as 4 mW not only fails to utilize the output power available from state of the art lasers, but limits distance transmission through fiber optic cable by an unacceptable margin. Therefore, suppression of SBS has been contemplated in the prior art.

One effective method of overcoming the limitations imposed by SBS has been found to be the use of phase modulation. U.S. Pat. No. 4,560,246 broadly describes this technique. Indeed, the utilization of two modulation tones, specifically 2 and 6 GHz tones, to achieve the desired phase modulation is admitted prior art. In fact, as early as 1975, E. P. Ippen recognized in an article entitled non-linear effects in optical fibers that SBS is a limitation on narrow band transmission capabilities, and low SBS threshold can, in practice, be circumvented by the use of short pulses or broad band sources. However, as will be described below, the present invention recognizes a highly advantageous and heretofore unknown method of improving SBS performance for use with at least two phase modulation sources. The method may utilize a highly advantageous phase modulation contour map for the purpose of establishing certain operating parameters of an optical communication system. In addition, a light producing arrangement is disclosed which provides for implementation of the established operating parameters.

**SUMMARY OF THE INVENTION**

As will be described in more detail hereinafter, a method of optimizing SBS suppression is disclosed for use in an optical communication system including a light guide for transmitting light and means for producing phase modulation of the light using at least first and second tones. In the method, an operational region of SBS suppression is established as a function of the phase modulation of the light such that the operational region identifies combinations of first and second phase modulation levels at which optimum SBS suppression is achieved for the first and second tones. Thereafter, based on the operational region, the first and second phase modulation levels are adjusted such that the system operates with optimum SBS suppression.

In one aspect of the present invention, a contour map and associated method are introduced. The contour map is especially suited for use in optimizing SBS suppression in an optical communication system in which light is phase modulated using at least first and second tones for transmission of the phase modulated light via media which exhibits an SBS threshold. The contour map includes a first axis along which the phase modulation value produced by the first tone is plotted and a second axis along which the phase modulation value produced by the second tone is plotted. An SBS suppression value is assigned to each point within a region defined by the phase modulation values produced by the first and second tones such that sub-regions of SBS suppression are identifiable with the region.

In another aspect of the present invention, one of the sub-regions identified by the foregoing contour map may be selected as the operating point of the system based on certain characteristics of the contour map at and around the location of the selected operating point. In this manner, the stability of the optical communication system may be improved, for example, in the event that the selected operating point is subject to drift.

In yet another aspect of the present invention, a light producing arrangement for injecting light into a light guide which exhibits SBS is disclosed. The arrangement includes means for generating light and means for phase modulating the generated light for the purpose of suppressing SBS. The phase modulating means includes at least first and second tone generators, having first and second adjustable output power levels, respectively, which are adjustable in increments of less than 0.5 dBm.

In still another aspect of the present invention, a tone generator is provided which includes a feedback loop so as to substantially stabilize the output of the tone generator for use in phase modulating the light output of a laser.

**BRIEF DESCRIPTION OF THE DRAWINGS**

The present invention may be understood by reference to the following detailed description taken in conjunction with the drawings briefly described below.

FIG. 1 is a block diagram illustrating an optical communication system designed in accordance with the present invention.

FIG. 2 is graphic, monochrome representation of a contour map produced in accordance with the method of the present invention for use in establishing a modulation operating point for the optical communication system depicted in FIG. 1.

FIG. 3 is modified version of the contour map of FIG. 2 shown here to illustrate the effects of advancing the phase modulation as compared with FIG. 2.

FIG. 4 is a block diagram illustrating a first embodiment of a two-tone generator for use in the optical communication system of FIG. 1.

FIG. 5 is a block diagram illustrating a second embodiment of a two-tone generator for use in the optical communication system of FIG. 1.

FIG. 6 is a schematic diagram generally illustrating a feedback module for use in the two-tone generator depicted by FIG. 5.

**DETAILED DESCRIPTION OF THE  
INVENTION**

Attention is immediately directed to FIG. 1, which diagrammatically illustrates an optical communication system

designed in accordance with the present invention and generally indicated by the reference numeral **10**. System **10** includes a continuous wave (hereinafter CW) laser **12** of any suitable type including but not limited to semiconductor distributed feedback, solid state and fiber lasers. CW laser **12** is controlled by a laser control unit **14** which compensates, as an example, for variations in laser power and ambient temperature. CW laser **12** preferably outputs a single longitudinal mode having a predetermined wavelength onto a fiber optic cable **16** which is, in turn, connected with an optical phase modulator **18**. The latter may employ, for example, a lithium niobate crystal which is not shown for purposes of simplicity. With appropriate electrical stimulation such a lithium niobate crystal is capable of modulating a beam of light which is passing through the crystal. Electrical stimulation is provided to the crystal in phase modulator **18** by a two-tone generator **20**. For the moment, it is sufficient to note that two-tone generator **20** includes a 2 GHz tone generator **20a** and a 6 GHz tone generator **20b**. Detailed descriptions of several highly advantageous embodiments of generator **20** will be provided at appropriate points hereinafter.

Still referring to FIG. 1, the output of optical phase modulator **18** is provided via an optical cable **22** to an RF intensity modulator **24**. At the same time, an input signal is provided to an RF pre-distortion module **26**. In this instance, the input signal is a CATV signal, however, it is to be understood that any suitable input signal may be used including but not limited to analog and digital signals. Pre-distortion module **26** performs linearization functions on the CATV input signal and, thereafter, provides a conditioned CATV input signal to RF intensity modulator **24**. A modulator bias control **28** is also connected with the RF intensity modulator so as to enable amplitude modulation control of the conditioned CATV input signal onto the phase modulated signal which is received from optical phase modulator **18**. Thereafter, a phase and amplitude modulated optical signal is provided by the RF intensity modulator to an optical amplifier **30** which, in turn, drives an optical fiber **32** having a length in the range of approximately 40 kilometers to 65 kilometers. Fiber **32** typically exhibits an SBS threshold of approximately 4 milliwatts. In this regard, it should be appreciated that the present invention contemplates the use of any suitable optical light guide which exhibits SBS, either currently available or to be developed. Fiber **32** is terminated by an optical receiver which is not illustrated for purposes of simplicity.

Having provided a general description of the components which make up system **10**, attention is now directed to FIG. 2 in conjunction with FIG. 1. FIG. 2 illustrates a modulation contour map generally indicated by the reference numeral **100** and developed in accordance with the method of the present invention, which method will be described at an appropriate point below. As will be seen, modulation contour map **100** is highly advantageous with regard to understanding the operation of system **10** in terms of the amount of phase modulation provided at the frequencies of tone generators **20a** and **20b**.

Still referring to FIGS. 1 and 2, modulation contour map **100** includes a horizontal axis **102** along which the phase modulation provided by 2 GHz tone generator **20a** is plotted in terms of the output power of the generator as measured in dBm (decibels referenced to 1 milliwatt). Similarly, modulation contour map **100** includes a vertical axis **104** along which the phase modulation provided by 6 GHz tone generator **20b** is plotted in terms of its output power as measured in dBm. It should be appreciated that each tone generator

provides a predetermined, known phase shift based on its input power to phase modulator **18**. Therefore, the scale on either axis could just as readily be indicated as phase modulation in radians, as opposed to tone generator output power. Alternatively, both phase modulation and tone generator output power may be indicated along the axes of modulation contour map **100**.

Axis **102** and **104** of modulation contour map **100** define a region of operation **106** for system **10**. Region **106** includes a plurality of SBS threshold levels **108** wherein each successive level represents a change in SBS threshold of 0.2 dB. One of ordinary skill in the art will appreciate that the SBS threshold level determines the maximum amount of power which may be transmitted down fiber optic member **32** without encountering the SBS phenomenon. Thus, it is desirable to operate at the highest possible SBS threshold level whereby power transmitted down the member may be maximized. It is noted that contour map **100** is a monochromatic representation of an actual color map which was produced in accordance with the present invention. The use of color in such contour maps is an effective technique for purposes of indicating the relative SBS threshold values of the various levels within the map. For example, the highest SBS threshold values may be indicated in red while the lowest values may be indicated in blue. In this manner, one is able to readily distinguish high values on top of "peaks" from low values within "valleys". Because the present forum does not afford the luxury of illustrating contour map **100** in a color format, details regarding its "topography" will be provided immediately hereinafter.

Referring solely to FIG. 2, the lowest SBS thresholds of map **100** lie within a region **110** which is immediately adjacent the origin of the map. The highest SBS thresholds of the map lie within a region **112** at the upper right corner of the map. The difference in the SBS threshold between regions **110** and **112** is approximately 8 dB or a factor of approximately 6.3. An SBS threshold peak **114** is indicated within region **106**. Peak **114** is approximately 2.2 dB down from high SBS threshold region **112**. It is also of interest to note that a number of relatively broad plateaus are present within region **106** such as, for example, a plateau **116** which is approximately 2 dB down from high SBS threshold region **112**. The significance of these various features within region **106** will become more apparent within the context of the discussions which follow.

Having generally described the features of contour map **100** of the present invention, a description will now be provided with regard to the way in which the contour map may be used to select an operating point for system **10**. As mentioned above, several embodiments of tone generator **20** will be described herein. State of the art 2 GHz and 6 GHz tone generators are capable of providing adjustable output power up to approximately 33 and 30 dBm, respectively. Therefore, as can be seen from FIG. 2, the tone generators limit the region in which system **10** may operate to only a portion **118** of region **106** as indicated within dashed lines **120**. Removal of this operational constraint will be considered at an appropriate point below. It should be noted that tone generators **20a** and **20b** may be implemented by one having ordinary skill in the art. It is evident from the extent of portion **118** that high SBS region **112** is inaccessible using tone generators **20a** and **20b**. However, SBS peak **114** lies within portion **118** along with part of plateau **116**.

It should be appreciated that prior to the development of the contour map of the present invention, appropriate output powers for tone generators **20a** and **20b** of two-tone generator **20** were established empirically. That is, the operating



point was selected based on laboratory measurements. However, difficulties were encountered with regard to the sensitivity of systems to these adjustments. One difficulty resided in establishing the operating point using initial adjustments. Another difficulty related to an unacceptable number of instances where systems required re-adjustment at some point in time after the initial adjustments were performed. The reasons for these difficulties remained unknown. Based on new found knowledge, the present invention offers the ability to resolve these problems in a highly effective, yet straight forward manner, as will be seen. Moreover, the present invention contemplates the development of systems having a level of stability which has not previously been thought possible.

Referring again to FIG. 2, it has been discovered that the prior art "target" of the output power adjustments for the tone generators was, in fact, previously unknown SBS peak 114. The latter lies at power outputs of approximately 23.75 dBm for the 2 GHz generator and 28.25 dBm for the 6 GHz tone generator. It can be seen that peak 114 resides at the end of a ridge 122. More importantly, it can also be seen that below and to the left of peak 114, the SBS threshold drops off in a very rapid manner. In fact, according to the figure, a drop in power output of 1 dBm from the level of peak 114 for each tone generator places the system at an operating point 124 which is nearly 2 dB in SBS threshold down from peak 114 or a factor of approximately 1.6. Thus, operating at peak 114 as compared with at point 124 results in a 60 percent increase in the amount of power which may be transmitted down a fiber optic light guide. Moreover, prior difficulties encountered in performing adjustment of tone generator power level output are now well understood in light of the present invention, as will be discussed immediately hereinafter.

Previously, power output was adjusted, for example, by using 0.5 dB attenuators. However, the FIG. 2 demonstrates that peak 114 is very narrow laterally (less than 0.5 dB in width). Therefore, using a 0.5 dB attenuator one could readily jump across the peak rather than centering the adjustment on the peak. The narrowness of peak 114 also serves to explain the aforementioned problem of systems requiring re-adjustment. In this regard, it should be appreciated that even a slight drift in the output power of a tone generator may result in a relatively large change in SBS threshold when a system is initially adjusted for operation on peak 114. In view of this new information, tone generators have been developed for use in this application having significantly more stable power outputs which are adjustable in increments of less than 0.5 dB, as will be described at an appropriate point below. Using these new tone generators, adjustment of output power may be performed such that system 10 operates in a stable manner on peak 114.

Still referring to FIG. 2 and in view of the foregoing discussion, one of ordinary skill in the art will appreciate that the operational stability of system 10 is determined based, at least in part, on the topography surrounding the operating point of the system. More specifically, operating points centered within relatively broad features of the map will inherently be more tolerant to drift of the operating point, thus providing a more stable SBS threshold. Therefore, due to the fact that peak 114 is a particularly sharp feature on the map, it is submitted that other operating points may prove to be more advantageous. For example, an operating point 126 within previously mentioned plateau 116 may prove to be advantageous. Operating point 126 is at approximately 30 dBm at 2 GHz and 31 dBm at 6 GHz. In fact, plateau 116 has an SBS threshold which is 0.2 dB

above peak 114. According to contour map 100, operation at point 126 provides a highly advantageous improvement in the stability of the SBS threshold since a drift in tone generator output power of 0.5 dBm, within a dashed circle 128, in any direction from point 126 results in no change in the SBS threshold. For this reason alone, it is submitted that the contour map of the present invention is highly advantageous. It should be mentioned that contour maps may readily be developed based upon tone generators which operate at frequencies other than those described herein. In this regard, the present invention remains applicable in future systems which may utilize other tones, for example, due to the need for higher data bandwidth. Moreover, three or more tones may be utilized in conjunction with a software implementation of the method of the present invention for purposes of identifying optimum operating points. It is noted that other concerns may arise as the spectrum of the optical signal is broadened. In fact, such concerns may be relevant even with the use of two tones at high levels of phase modulation. For example, one phenomenon of concern is that of frequency dispersion. The latter should be considered and managed appropriately if spectral broadening is to be employed on long distance fiber runs.

Having described the way in which the contour map of the present invention is used, one method of generating the contour map will now be described. Generally, the electric field intensity can be written as:

$$E = E_0 e^{j\omega_0 t + j\phi}, \quad (1)$$

where  $E_0$  is the amplitude,  $\omega_0$  is the frequency of the optic carrier and  $\phi$  is the phase. For two tone phase modulation at frequencies  $\Omega_1$  and  $\Omega_2$ :

$$\phi = \beta_1 \sin \Omega_1 t + \beta_2 \sin \Omega_2 t, \quad (2)$$

where  $\beta_1$  and  $\beta_2$  are the modulation indexes at frequencies  $\Omega_1$  and  $\Omega_2$ , respectively. Using Equations 1 and 2, the electric field can be written as:

$$E = E_0 e^{j\omega_0 t} e^{j\beta_1 \sin \Omega_1 t} e^{j\beta_2 \sin \Omega_2 t} \quad (3)$$

By using Bessel expansions on the terms  $e^{j\beta_1 \sin \Omega_1 t}$  and  $e^{j\beta_2 \sin \Omega_2 t}$  we obtain:

$$E = E_0 e^{j\omega_0 t} \sum_{n=-\infty}^{+\infty} \sum_{k=-\infty}^{+\infty} J_n(\beta_1) J_k(\beta_2) e^{j(n\Omega_1 + k\Omega_2)t} \quad (4)$$

where  $J_n(\beta_1)$  and  $J_k(\beta_2)$  are Bessel functions of order  $n$  and  $k$ , respectively. If we now choose, for example,  $\Omega_2 = 3\Omega_1$ , Equation 4 can be written as:

$$E = E_0 e^{j\omega_0 t} \sum_{m=-\infty}^{+\infty} \left[ \sum_{k=-\infty}^{+\infty} J_{m-3k}(\beta_1) J_k(\beta_2) \right] e^{jm\Omega_1 t}, \quad (5)$$

where  $n$  from Equation 4 is chosen to be  $n=m-k$ . The normalized optical intensity is defined as:

$$I = \frac{|E|^2}{|E_0|^2}. \quad (6)$$

At an offset from carrier frequency  $\omega_0$  of  $m\Omega_1$ , using Equation 5:

$$I_m = \sum_{k=-\infty}^{+\infty} J_{m-3k}^2(\beta_1) J_k^2(\beta_2), \quad (7)$$

where  $m$  can take integer values from  $-\infty$  to  $+\infty$ . The SBS suppression is determined by the maximum value of  $I_m$  which occurs for one value of  $m$  depending on the values of  $\beta_1$  and  $\beta_2$ . For example, at small values of  $\beta_1$ ,  $\beta_2 \ll 1$ , the maximum value of  $I_m$  occurs at  $m=0$ . As  $\beta_1$  and  $\beta_2$  increase, the maximum value of  $I_m$  will move from  $m=0$  to  $m=1$  and further move to  $m=2$  and to other, higher values of  $m$ . In the present circumstances with  $n=m-3k$ , Bessel functions  $J_n(\beta_1)$  and  $J_k(\beta_2)$  for  $n$  and  $k$  greater than 10, have a very small value and, thus, may be ignored. Therefore,  $I_m$  is calculated by limiting  $k$  and  $n=m-3k$  to the range of  $-10$  to  $+10$  since this range has been found to yield sufficient accuracy. Moreover,  $I_m$  is symmetric with respect to  $m$  around  $m=0$ , i.e.,  $I_m=I_{-m}$ . Thus, to find the maximum  $I_m$ , we need only consider  $m=0$  to 10. When the maximum value,  $I_{m,MAX}$  is found, the SBS suppression in decibels is given as:

$$S = -10 \log_{10} I_{m,MAX} \text{ [dB]} \quad (8)$$

The numerical process used to produce contour plot **100** includes calculating  $I_m$  for  $m=0$  to 10 for given values of  $\beta_1$  and  $\beta_2$  using Equation 7 where  $k$  and  $m-3k$  range from  $-10$  to  $+10$ . The values of  $I_m$  for  $m=0$  to 10 are then compared to find the maximum value which becomes  $I_{m,MAX}$ . The log value is then plotted using Equation 8.

Turning again to FIG. 2, irrespective of the limitations imposed by the phase modulation capabilities of system **10**, the optimum operating point for the system would reside at the upper right hand corner of contour map **100**, for example, at an operating point **130**. The latter includes an SBS threshold that is 1.8 dB higher than the threshold at plateau **116** which would result in an increase in power down an optical fiber of approximately 1.5, a level which is 50% more power than that which is available at plateau **116**. Presently, operating point **130** is beyond the modulation capabilities of commercially practical systems. Alternatively, operating point **126** is out of the power range of current 6 GHz tone generators by approximately 0.5 dB, but is, however, within the range of current 2 GHz tone generators. Therefore, it is suggested that, with the development of an appropriate 6 GHz tone generator, operating point **126** may serve as an interim operating point using a modified modulation arrangement prior to operating at point **130**. However, it is contemplated that hardware having modulation capabilities placing region **112** within reach will be implemented, particularly in view of the teachings herein. The effect of the development of such a new modulator arrangement on the modulation contour map of the present invention will be described immediately hereinafter.

Turning to FIGS. 2 and 3, a contour map **150** is shown which contemplates the development of a modulator arrangement (not shown) that provides significantly higher modulation levels than state of the art modulator arrangements. The effect of the higher modulation levels would essentially be to shift the features of modulation contour map **100** downward and to the left. As points of reference, plateau **116** and operating point **126** are denoted in modulation contour map **126**. The calculation algorithm was terminated for values in region **112**. Even higher levels of

SBS suppression exist beyond this region, but are not shown here for purposes of clarity.

Attention is now directed to FIG. 4 which illustrates a first embodiment of two-tone generator **20** including 2 GHz generator **20a** and 6 GHz generator **20b**. A reference oscillator **170** generates a 10 MHz reference signal which is provided to a 2 GHz phase locked loop (hereinafter PLL) synthesizer **172** and to a 6 GHz PLL synthesizer **174**. The synthesizers generate their designated output frequencies and provide outputs to amplifiers **176** and **178**, as indicated. Amplifiers **176** and **178**, in turn, provide outputs to RF attenuators **180** and **182**. The attenuators are configured for providing attenuation of the outputs of amplifiers **176** and **178** in steps of less than 0.5 dB. Preferably, attenuation steps of approximately 0.1 dB are provided. Attenuators **180** and **182** provide attenuated outputs to an RF signal combiner **184** which, in turn, provides a combined RF output to phase modulator **18** (see FIG. 1). While two-tone generator **20** may readily be provided by one having ordinary skill in the art, it is important to mention that design practices should be employed wherever possible which ensure a stable output with regard to temperature changes and output drift over time.

Turning to FIG. 5, a second embodiment of a two-tone generator is indicated by the reference numeral **20'**. Because generator **20'** includes certain components used in generator **20**, like reference numbers have been applied wherever possible and the reader is referred to previous descriptions of these components. The 2 GHz and 6 GHz tone generators in this second embodiment are referred to by reference numbers **20a'** and **20b'**. Generator **20'** includes reference oscillator **170**, 2 GHz PLL synthesizer **172**, 6 GHz PLL synthesizer **174** and RF combiner **184**. The 2 GHz PLL synthesizer provides an output to an amplifier **200** while the 6 GHz PLL synthesizer provides an output to an amplifier **202**. An output of amplifier **200** is provided to an RF tap **204**. Similarly, an output of amplifier **202** is provided to an RF tap **206**. In accordance with the present invention, feedback modules A and B receive respective portions of the outputs of amplifiers **200** and **202** via the RF taps. Amplifiers **200** and **202** each include a feedback input **208** which is connected with a respective one of the feedback modules. Feedback levels provided to the modules are adjustable using a biasing arrangement which is connected with feedback modules A and B. The biasing arrangement associated with each feedback module includes a resistor R1 connected at one end with a voltage reference designated as "REF" and connected its other end with a variable resistor R2. The latter is, in turn, connected with one of the feedback modules such that varying R2 results in a variable DC bias provided to the feedback module. Outputs provided by RF taps A and B are combined by combiner **184**. The combined RF signal is then provided to phase modulator **18** (see FIG. 1).

Still referring to FIG. 5, it should be appreciated that tone generator **20'** optimizes the 2 GHz and 6 GHz power levels continuously by tapping off the signal powers after the amplifiers, detecting the amplitude of the signals and comparing them to a fixed pre-determined optimum reference level to generate an error signal that is fed back to the RF amplifiers in order to adjust their gains and, thereby, their output powers. This feedback configuration insures that the 2 GHz and 6 GHz power levels remain substantially constant over temperature and time. Moreover, the output power of each tone generator is variable with a resolution of 0.1 dB or better. It is submitted that the implementation of a tone generator in a feedback configuration is highly advantageous and has not been seen in the present application. A specific

implementation of the feedback modules will be described immediately below.

Referring to FIG. 6, a feedback module designed in accordance with the present invention is generally indicated by the reference numeral 240. Feedback module 240 includes an RF amplifier 242, a first buffer amplifier 244, a second buffer amplifier 246 and a comparator amplifier 248. Module 240 further includes an RF detector diode D1 which produces a voltage proportional to the RF level coupled to D1 through C2 as representing a sample of RF output 250 produced by RF amplifier 242. The voltage produced by D1 is filtered through inductor L1 and buffered by second buffer amplifier 246. An adjustable preset voltage,  $V_{SET}$ , is produced using a reference voltage V2 and a potentiometer R20.  $V_{SET}$  is buffered by first buffer amplifier 244. The buffered voltages of the first and second buffer amplifiers are then compared by comparator amplifier 248 to produce an error voltage  $V_{ERR}$ . The latter is then applied to a gain or output level control 252 of amplifier 242. In this way, the RF power output of amplifier 242 is regulated by the level of  $V_{SET}$ . Without such regulation, for example, the output of amplifier 242 is assumed to be prone to drift over excursions of temperature, power supply voltages or with aging.

It should be appreciated that the concepts of the present invention, as taught herein, may be applied in a number of different ways by one of ordinary skill in the art. As an example, the teachings of the present invention are equally applicable to any laser implementations which may be developed providing for direct modulation of the laser's output at the tones/frequencies contemplated herein. Therefore, the present examples and method are considered as illustrative and not restrictive, and the invention is not to be limited to the details given herein, but may be modified within the scope of the appended claims.

What is claimed is:

1. In an optical communication system including a light guide for transmitting light and means for producing phase modulation of said light using at least first and second tones, a method of optimizing SBS suppression in said system, said method comprising the steps of:

- a) establishing an operational region of SBS suppression as a function of said phase modulation such that said region identifies combinations of first and second phase modulation levels at which optimum SBS suppression is achieved for said first and second tones; and
- b) using said operational region, adjusting the first and second phase modulation levels such that said system operates with optimum SBS suppression.

2. The method of claim 1 wherein said step of establishing said region of SBS suppression includes the step of defining, a contour map having one axis along which the phase modulation provided by said first tone is plotted and having another axis along which the phase modulation provided by said second tone is plotted such that an SBS suppression value is indicated for any possible combination of phase modulations of the first and second tones so as to define one or more sub-regions of optimum SBS suppression and wherein said step of adjusting said first and second phase modulation levels includes using the sub-region or regions of said contour map to identify at least one combination of phase modulation of the first and second tones to achieve optimum SBS suppression.

3. The method of claim 2 wherein one sub-region of optimum SBS suppression is selected from the sub-regions defined by said contour map, each sub-region including a width on said contour map and wherein the selected optimum sub-region is selected based, at least in part, on relative widths of the sub-regions.

4. The method of claim 2 wherein one sub-region of optimum SBS suppression is selected from the sub-regions defined by said contour map, each sub-region including a maximum SBS suppression level on said contour map and wherein the selected optimum sub-region is selected based, at least in part, on the relative maximum SBS suppression levels of the sub-regions.

5. The method of claim 2 wherein one sub-region of optimum SBS suppression is selected from said sub-regions defined by said contour map, each sub-region including (i) a width on said contour map and (ii) a maximum SBS suppression level and wherein said optimum region is selected based, at least in part, on the relative widths in combination with the relative maximum SBS suppression levels of the sub-regions.

6. The method of claim 1 including the step of providing said first and second tones at approximately 2 GHz and 6 GHz, respectively.

7. In an optical communication system including a light guide for transmitting light and means for phase modulating said light using at least first and second tones produced by first and second tone generators for the purpose of suppressing SBS where the phase modulation produced using said tones is adjustable by adjusting first and second output power levels of said first and second tone generators, respectively, a method of optimizing SBS suppression in said system, said method comprising the steps of:

- a) establishing an operational region of SBS suppression as a function of said first and second power levels such that said region identifies combinations of said first and second power levels at which optimum SBS suppression is achieved; and
- b) using said operational region, adjusting said first and second output power levels of said first and second tone generators such that said system operates with optimum SBS suppression.

8. The method of claim 7 wherein said step of establishing said region of SBS suppression includes the step of defining a contour map having one axis along which the phase modulation of said first tone is plotted and having another axis along which the phase modulation of said second tone is plotted such that an SBS suppression value is indicated for any possible combination of phase modulations of the first and second tones and defining one or more sub-regions of optimum SBS suppression within said operational region of SBS suppression and wherein said step of adjusting said first and second power levels includes using the sub-region or regions of said contour map to identify at least one combination of phase modulation of the first and second tones to achieve optimum SBS suppression.

9. The method of claim 8 wherein one sub-region of optimum SBS suppression is selected from the sub-regions defined by said contour map, each sub-region including a width on said contour map and wherein the selected optimum sub-region is selected based, at least in part, on relative widths of the sub-regions.

10. The method of claim 8 wherein one sub-region of optimum SBS suppression is selected from the sub-regions defined by said contour map, each sub-region including a maximum SBS suppression level on said contour map and wherein the selected optimum sub-region is selected based, at least in part, on the relative maximum SBS suppression levels of the sub-regions.

11. The method of claim 8 wherein said first and second tone generators are capable of providing first and second maximum phase modulation values and wherein one sub-region of optimum SBS suppression is selected from said

sub-regions defined by said contour map based, at least in part, on said first and second maximum phase modulation values.

12. The method of claim 8 wherein one sub-region of optimum SBS suppression is selected from said sub-regions defined by said contour map, each sub-region including (i) a width on said contour map and (ii) a maximum SBS suppression level and wherein said optimum region is selected based, at least in part, on the relative widths in combination with the relative maximum SBS suppression levels of the sub-regions.

13. The method of claim 7 wherein said step of adjusting the power levels of said first and second tone generators includes the step of adjusting the output power level of each generator in increments of less than 0.5 dBm.

14. The method of claim 7 wherein said step of adjusting the power levels of said first and second tone generators includes the step of adjusting the output power level of each generator in increments of approximately 0.1 dBm.

15. The method of claim 7 including the step of operating said first and second tone generators at approximately 2 GHz and 6 GHz, respectively.

16. A light producing arrangement for injecting light into a light guide which exhibits SBS, said arrangement comprising:

- a) means for generating light; and
- b) means for phase modulating said generated light for the purpose of suppressing SBS, said phase modulating means including at least first and second tone generators, having first and second adjustable output power levels, respectively, which are adjustable in increments of less than 0.5 dBm, said first and second tone generators including first and second stabilization means for stabilizing the adjusted output power levels of the tone generators, and said first and second stabilization means including first and second feedback loops, respectively.

17. The arrangement of claim 16 wherein said first and second adjustable power levels are adjustable in increments of approximately 0.1 dBm.

18. A method of generating a contour map especially suited for use in optimizing SBS suppression in an optical communication system including means for providing phase modulation of light using first and second tones, the phase modulated light thereafter being coupled into a light guide which exhibits an SBS threshold, said method comprising the steps of:

- a) establishing a first phase modulation axis along which phase modulation values of said light are plotted corresponding to phase modulation provided by said first tone and a second phase modulation axis along which phase modulation values of said light are plotted corresponding to phase modulation provided by said second tone; and
- b) assigning an SBS suppression value to each point within a region defined by the first and second phase modulation axes such that sub-regions of SBS suppression are identifiable with said region.

19. The method of claim 18 wherein said step of assigning the SBS suppression values includes the steps of assigning the SBS suppression levels within a series of discrete SBS suppression levels.

20. The method of claim 19 wherein said SBS suppression levels vary by approximately 0.2 dB from a particular level to a next adjacent level.

21. A method of generating a contour map especially suited for use in optimizing SBS suppression in an optical

communication system in which a first and a second tone generator phase modulate light which is thereafter coupled into a light guide which exhibits an SBS threshold, said method comprising the steps of:

- a) establishing a first phase modulation axis along which phase modulation values of said light are plotted corresponding to phase modulation provided by said first tone generator and a second phase modulation axis along which phase modulation values of said light are plotted corresponding to said second tone generator; and
- b) assigning an SBS suppression value to each point within a region defined by the first and second phase modulation axes such that sub-regions of SBS suppression are identifiable with said region.

22. The method of claim 21 wherein said step of assigning the SBS suppression values includes the steps of assigning the SBS suppression levels within a series of discrete SBS suppression levels.

23. The method of claim 22 wherein said SBS suppression levels vary by approximately 0.2 dB from a particular level to a next adjacent level.

24. A contour map especially suited for use in optimizing SBS suppression in an optical communication system in which light is phase modulated using at least first and second tones, the phase modulated light thereafter being coupled into a light guide which exhibits an SBS threshold, said contour map comprising:

- a) a first axis along which the phase modulation value produced by said first tone is plotted;
- b) a second axis along which the phase modulation value produced by said second tone is plotted; and
- c) an SBS suppression value assigned to each point within a region defined by the phase modulation values produced by said first and second tones such that sub-regions of SBS suppression are identifiable with said region.

25. The contour map of claim 24 wherein said SBS suppression values are assigned according to a series of discrete SBS suppression levels.

26. The contour map of claim 25 wherein said SBS suppression levels vary by approximately 0.2 dB from a particular level to a next adjacent level.

27. A contour map especially suited for use in optimizing SBS suppression in an optical communication system in which a first and a second tone generator are used to phase modulate light which is thereafter coupled into a light guide which exhibits an SBS threshold, said contour map comprising:

- a) a first axis along which the phase modulation power of said first tone generator is plotted;
- b) a second axis along which the phase modulation power of said second tone generator is plotted; and
- c) an SBS suppression value assigned to each point within a region defined by the phase modulation powers of said first and second tone generators such that sub-regions of SBS suppression are identifiable with said region.

28. The contour map of claim 27 wherein said SBS suppression values are assigned according to a series of discrete SBS suppression levels.

29. The contour map of claim 28 wherein said SBS suppression levels vary by approximately 0.2 dB from a particular level to a next adjacent level.

30. In an optical communication system including a light guide for transmitting light and means for producing phase

13

modulation of said light using at least first and second tones, a configuration for optimizing SBS suppression in said system, said configuration comprising:

- a) a first arrangement for establishing an operational region of SBS suppression as a function of said phase modulation such that said region identifies combinations of first and second phase modulation levels at which optimized SBS suppression is achieved for said first and second tones; and
- b) a second arrangement for adjusting the first and second phase modulation levels using said operational region such that said system operates with optimized SBS suppression.

31. The configuration of claim 30 wherein said first arrangement is configured for establishing said region of SBS suppression by mapping the phase modulation provided by said first tone against the phase modulation provided by said second tone such that an SBS suppression value is indicated for any possible combination of phase modulations of the first and second tones so as to define one or more sub-regions of optimum SBS suppression and said second arrangement is configured for ad issuing said first and second phase modulation levels using the sub-region or regions to identify at least one combination of phase modulation of the first and second tones to achieve optimized SBS suppression.

32. The configuration of claim 31 wherein mapping the phase modulation produces a contour map having the first tone along one axis and the second tone along an orthogonal axis and said first arrangement is configured for selecting one sub-region of optimum SBS suppression from the sub-regions defined, each sub-region including a width on said contour map and wherein the selected optimum sub-region is selected based, at least in part, on relative widths of the sub-regions.

33. The configuration of claim 31 wherein mapping the phase modulation produces a contour map having the first tone along one axis and the second tone along an orthogonal axis and wherein said first arrangement is configured for selecting one sub-region of optimum SBS suppression from the sub-regions defined by said contour map, each sub-region including a maximum SBS suppression level and wherein the selected optimum sub-region is selected based, at least in part, on the relative maximum SBS suppression levels of the sub-regions.

34. The configuration of claim 31 wherein mapping the phase modulation produces a contour map having the first tone along one axis and the second tone along an orthogonal axis and wherein said first arrangement is configured for selecting one sub-region of optimum SBS suppression from said sub-regions defined by said contour map. each sub-region including (i) a width on said contour map and (ii) a maximum SBS suppression level and wherein said optimum region is selected by the first arrangement based, at least in part, on the relative widths in combination with the relative maximum SBS suppression levels of the sub-regions.

35. The configuration of claim 30 wherein the first and second arrangements are configured for using the first and second tones at approximately 2 GHz and 6 GHz, respectively.

36. In an optical communication system including a light guide for transmitting light and means for phase modulating said light using at least first and second tones produced by first and second tone generators for the purpose of suppressing SBS where the phase modulation produced using said tones is adjustable by adjusting first and second output power levels of said first and second tone generators, respectively, a configuration for optimizing SBS suppression in said system, said configuration comprising:

14

- a) a first arrangement for establishing an operational region of SBS suppression as a function of said first and second power levels such that said region identifies combinations of said first and second power levels at which optimum SBS suppression is achieved; and
- b) a second arrangement for adjusting said first and second output power levels of said first and second tone generators using said operational region such that said system operates with optimized SBS suppression.

37. The configuration of claim 36 wherein said first arrangement is configured for establishing said region of SBS suppression by (i) defining a contour map having one axis along which the phase modulation of said first tone is plotted and having another axis along which the phase modulation of said second tone is plotted such that an SBS suppression value is indicated for any possible combination of phase modulations of the first and second tones and (ii) defining one or more sub-regions of optimum SBS suppression within said operational region of SBS suppression and said second arrangement is configured for adjusting said first and second power levels by using the sub-region or regions of said contour map to identify at least one combination of phase modulation of the first and second tones to achieve optimized SBS suppression.

38. The configuration of claim 37 wherein said first arrangement is configured for selecting one sub-region of optimum SBS suppression from the sub-regions defined by said contour map, each sub-region including a width on said contour map and wherein the selected optimum sub-region is selected based, at least in part, on relative widths of the sub-regions.

39. The configuration of claim 37 wherein said first arrangement is configured for selecting one sub-region of optimum SBS suppression from the sub-regions defined by said contour map, each sub-region including a maximum SBS suppression level on said contour map and wherein the selected optimum sub-region is selected based, at least in part, on the relative maximum SBS suppression levels of the sub-regions.

40. The configuration of claim 37 wherein said first and second tone generators are capable of providing first and second maximum phase modulation values and wherein said first arrangement is configured for selecting one sub-region of optimum SBS suppression from said sub-regions defined by said contour map based, at least in part, on said first and second maximum phase modulation values.

41. The configuration of claim 37 wherein said first arrangement is configured for selecting one sub-region of optimum SBS suppression from said sub-regions defined by said contour map, each sub-region including (i) a width on said contour map and (ii) a maximum SBS suppression level and wherein said optimum region is selected by the first arrangement based, at least in part, on the relative widths in combination with the relative maximum SBS suppression levels of the sub-regions.

42. The configuration of claim 36 wherein second arrangement is configured for adjusting the power levels of said first and second tone generators in increments of less than 0.5 dBm.

43. The configuration of claim 36 wherein said second arrangement is configured for adjusting the power levels of said first and second tone generators in increments of approximately 0.1 dBm.

44. The configuration of claim 36 wherein said second arrangement is configured for using said first and second tone generators at approximately 2 GHz and 6 GHz, respectively.